

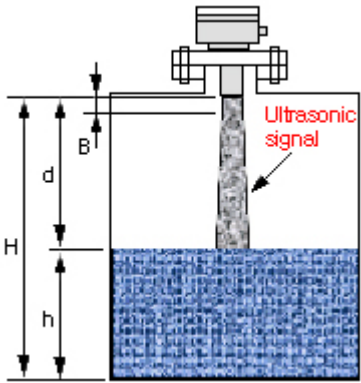
Features

- Simple installation /operation
- Two Relay output
- 2, 3, 4Wire selection possibility
- Can measure to maximum 40m according to sensor.
- Temperature for correct water level measure/ speed of sound correction.



Description

ientek’s ultrasonic level transmitter is manufactured to be suitable in corrosiveness, viscosity gas, place that steam. Display is manufactured in dark place on Backlight function internal organs so that level confirmation may be available, and operation principle is as following. The Ultrasonic pulse that is transmitted from the sensor hits the liquid that subject to measure and returns from it by reflections. And the sensor receives that returning echo. The pulses are to be input to the converter in the mode of electric signals, and at this moment, the signals, proportioned to the distance which is computed out by measuring the time difference between transmitting pulse and receiving pulse, are to be output.



$$h = H - d$$

Figure 1. Measurement principle

ULT Series Ultrasonic Level Transmitter

Operating Specifications

Measurement Range

4m, 6m, 8m, 10m, 12m, 15m, 20m, 30m, 40m

Blanking Distance

3~5% (F.S.)

Accuracy-Air

0.25%

Current Output Selection

2 Wire * 4-20 mA (Max. 500Ω)

3 Wire * 4-20 mA (Max. 500Ω)

4 Wire * 4-20 mA (Max. 500Ω)

Output Resolution

Range * 0.03%

Relay Output Standard

5A * 250VAC / 30VDC

Resolution

1 mm

Display

4-digit number LCD

Power Supply

One body type : 24VDC (80mA)

Remote type : 24VDC or 220VAC (50mA)

Ambient Temperature

-20°C ~ +85°C : Sensor

-20°C ~ +60°C : Controller

User Pressure

-1 ~ +1 bar

Ultrasonic Beam Angle

5° (3db), 8° (3db)

Measurement Cycle

1.5 Sec

Data Setting

3EA Key

Electrical Connections

Cable grand PG 13.5

Case Materials

ABS

Sensor Materials

PVC

Enclosure

IP 68: Sensor

IP 65: Controller

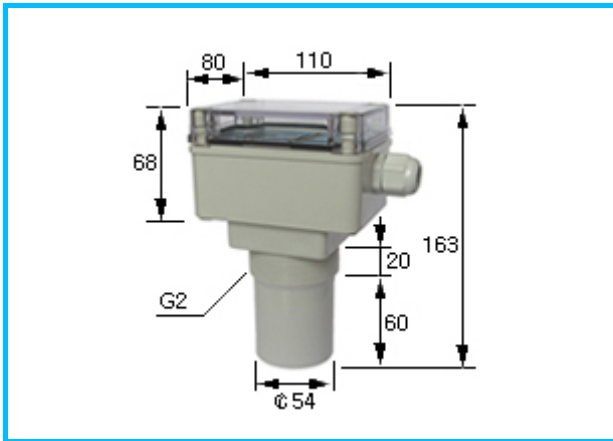
Installation Method

Flange or Screw

Applications

- Level measurement
- Water tank level measurement
- Liquid storage tank level measurement
- Apart/Building water tank level measurement
- Sewage disposal plant
- Beverage storage tank level measurement

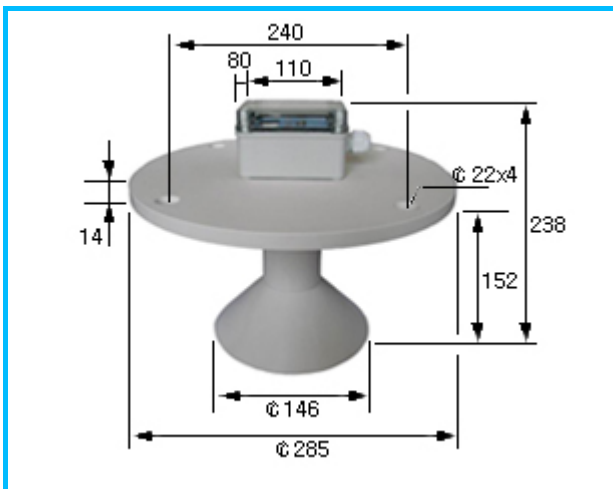
Dimensional Specifications I (One Body Type)



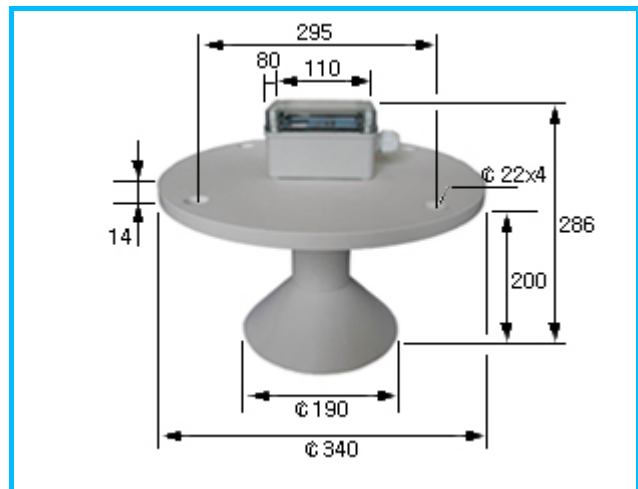
ULT 4m, 6m, 8m – One Body



ULT 12m – One Body

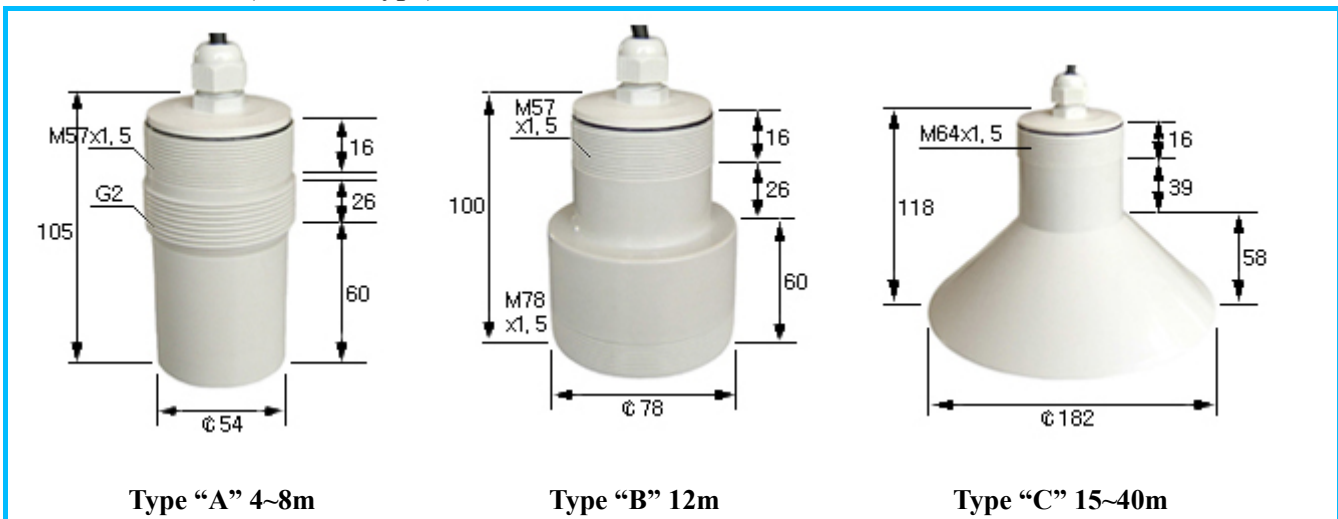


ULT 15m – One Body



ULT 20m, 30m, 40m – One Body

Ultrasonic Sensor (Remote Type)



Type "A" 4~8m

Type "B" 12m

Type "C" 15~40m

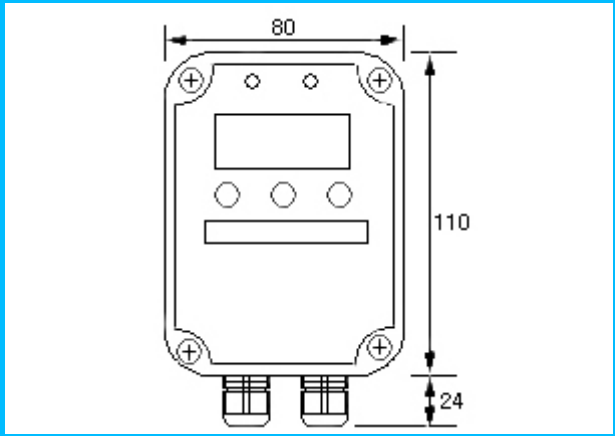
Dimensional Specifications II (Remote Type)



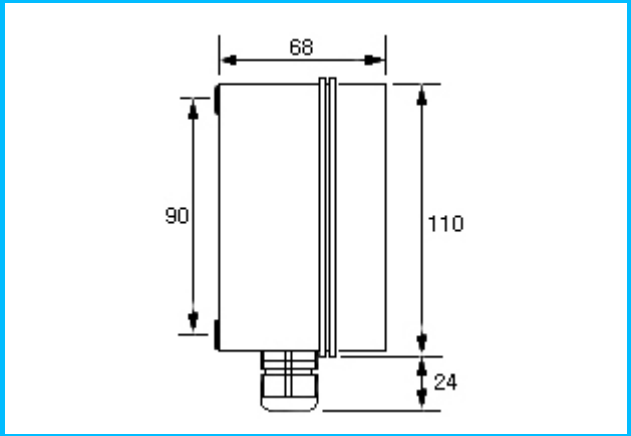
ULT (Remote Type I Controller)



ULT - Remote Type(Controller + Sensor)



ULT (Remote Type I) - Front View



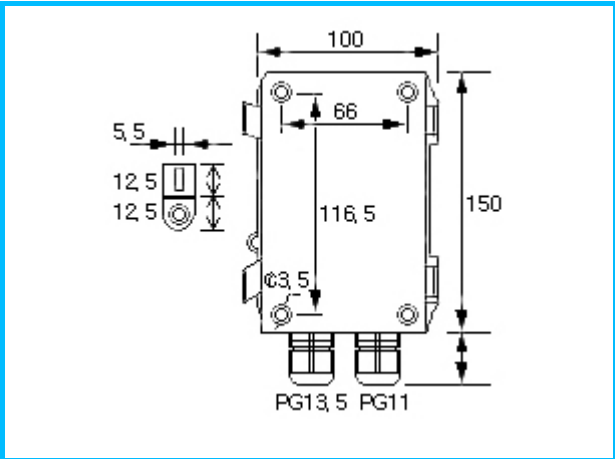
ULT (Remote Type I) - Side View



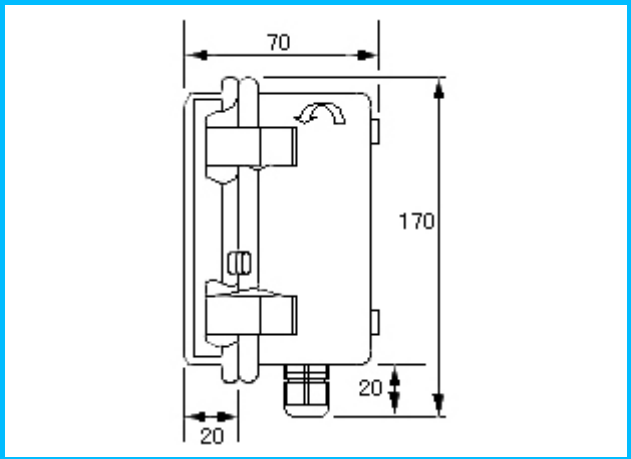
ULT (Remote Type II Controller)



ULT - Remote Type(Controller + Sensor)

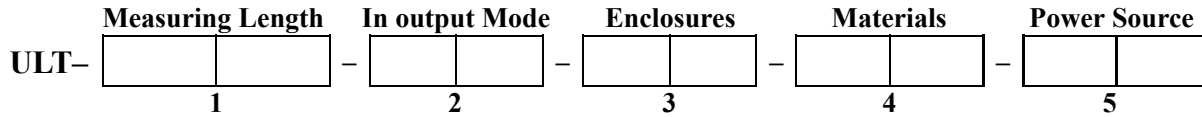


ULT (Remote Type II) - Front View



ULT (Remote Type II) - Side View

Factor 2 (P)153-803
 Daeryung Technotown 5th #407
 493, Gasan-dong Gumcheon-Gu Seoul, Korea
 TEL : +82(2)-2107-7999 FAX : +82(2)-2107-7990
 www.flowcountry.com , www.flowcountry.co.kr



Measuring Length(m)	Code 1
4	04
6	06
8	08
10	10
12	12
15	15
20	20
30	30
40	40
Agency approved, customer specified	WW

In output Mode	Code 2
4-20mA * 2Wire (24VDC)	2W
4-20mA * 3Wire (24VDC)	3W
4-20mA * 4Wire (24V . 220V)	4W
Agency approved, customer specified	WW

Enclosures	Code 3
One Body Type	OB
Remote Type(m)	R()
Agency approved, customer specified	WW

Materials	Code 4
Enclosures ABS	AB
Sensor PVC	PV
Agency approved, customer specified	WW

Power Source	Code 5
24V DC	DC
220V AC	AC
Agency approved, customer specified	WW